

DC/DC Converters – SWRA/SWRB- 3W series

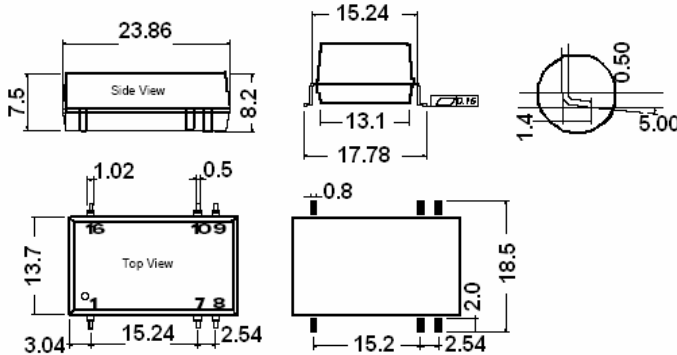
3 WATT

Single / Dual Output

FEATURES

- 1500 Vdc Isolation (3500 Vdc Isolation available)
- Wide 2:1 Input Range
- Continuous Short Circuit Protection
- RoHS Compliance
- MTFB > 1.00 MHours

MECHANICAL DIMENSIONS & PIN CONNECTIONS



Model Number	Input Vdc	Output Vdc	Output Current (mA)	Efficiency @FL (%)
SWRA1205LT-3W	9-18	±5	±300	78
SWRA1209LT-3W		±9	±167	79
SWRA1212LT-3W		±12	±125	80
SWRA1215LT-3W		±15	±100	81
SWRB1203LT-3W	9-18	3.3	909	76
SWRB1205LT-3W		5	600	78
SWRB1209LT-3W		9	333	79
SWRB1212LT-3W		12	250	80
SWRB1215LT-3W	18-36	15	200	81
SWRA2405LT-3W		±5	±300	78
SWRA2409LT-3W		±9	±167	79
SWRA2412LT-3W		±12	±125	80
SWRA2415LT-3W	18-36	±15	±100	81
SWRB2403LT-3W		3.3	909	76
SWRB2405LT-3W		5	600	78
SWRB2409LT-3W		9	333	79
SWRB2412LT-3W	36-72	12	250	80
SWRB2415LT-3W		15	200	81
SWRA4805LT-3W		±5	±300	78
SWRA4809LT-3W		±9	±167	79
SWRA4812LT-3W	36-72	±12	±125	80
SWRA4815LT-3W		±15	±100	81
SWRB4803LT-3W		3.3	909	76
SWRB4805LT-3W		5	600	78
SWRB4809LT-3W	36-72	9	333	79
SWRB4812LT-3W		12	250	80
SWRB4815LT-3W		15	200	81

Pin	Single	Dual
1	GND	GND
7	N.C.	N.C.
8	N.C.	OV
9	+Vo	+Vo
10	OV	-Vo
16	Vin	Vin

ISOLATION SPECIFICATIONS					
Item	Test conditions	Min	Typ	Max	Units
Isolation voltage	Tested for 1 minute and 1mA Max	1500			VDC
Isolation resistance	Test at 500VDC	1000			MΩ
Isolation capacitance	Input/Output		85		PF

COMMON SPECIFICATIONS					
Item	Test conditions	Min	Typ	Max	Units
Storage humidity range				95	%
Operating temp. range		-40		85	°C
Storage temp. range		-55		125	
Short circuit protection		Continuous, automatic recovery			
Cooling		Free air convection			
Temp. rise at full load			15	35	°C
Lead temperature	1.5mm from case for 10 seconds			245	
MTBF		1000			Khour
Weight			5.2		g