

High Current DC Single Line Feed-thru Series



RoHS
COMPLIANT

Single Line Filters

Features

- Voltage Rating 130VDC
- C Configuration with Class Y4 capacitors
- Current rating up to 300 Amps
- Operating Temperature Range: -40C to +85C
- Excellent filtering in compact package
- Bolt-in style with D-shaped bushing for easy installation
- Low cost EMI solution
- Design flexibility
- UL and Semko approved

Applications

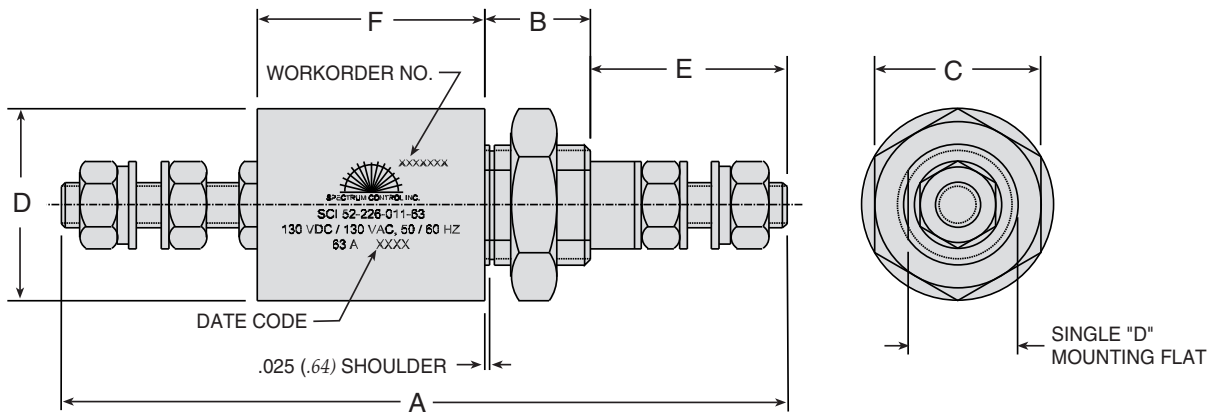
- Telecommunications (cellular base stations, telephone switching racks, etc.)
- Power supplies
- Medical Equipment
- C.O.T.S. (Commercial-Off-The-Shelf) Military
- Industrial equipment controls
- Data Transmission Equipment

Specifications

| Part Number | Rated Current | Min. Cap. | Minimum Insertion Loss (db)* | | | | | |
|----------------|---------------|-----------|------------------------------|--------|------|-------|--------|---------|
| | | | .01MHz | .10MHz | 1MHz | 10MHz | 100MHz | 1000MHz |
| 52F226-011-10 | 10A | 10nF | - | - | 4 | 21 | 41 | 60 |
| 52F226-011-16 | 16A | | | | | | | |
| 52F226-011-32 | 32A | | | | | | | |
| 52F226-011-63 | 63A | | | | | | | |
| 52F226-011-100 | 100A | 47nF | - | 2 | 15 | 34 | 53 | 74 |
| 52F226-011-200 | 200A | | | | | | | |
| 52F226-011-250 | 250A | 100nF | | | | | | |
| 52F226-011-300 | 300A | | | | | | | |
| 52F226-021-16 | 16A | 47nF | - | 2 | 15 | 34 | 53 | 74 |
| 52F226-021-32 | 32A | | | | | | | |
| 52F226-031-63 | 63A | | | | | | | |
| 52F226-021-100 | 100A | 100nF | 2 | 16 | 33 | 52 | 75 | 90 |
| 52F226-021-200 | 200A | | | | | | | |
| 52F226-021-250 | 250A | 470nF | | | | | | |
| 52F226-021-300 | 300A | | | | | | | |
| 52F226-031-16 | 16A | 100nF | - | 5 | 21 | 40 | 60 | 85 |
| 52F226-031-32 | 32A | | | | | | | |
| 52F226-031-63 | 63A | | | | | | | |
| 52F226-031-100 | 100A | 470nF | 6 | 20 | 40 | 60 | 85 | 90 |
| 52F226-031-200 | 200A | | | | | | | |
| 52F226-031-250 | 250A | 1000nF | | | | | | |
| 52F226-031-300 | 300A | | | | | | | |
| 52F226-041-16 | 16A | 470nF | 2 | 16 | 33 | 52 | 75 | 90 |
| 52F226-041-32 | 32A | | | | | | | |
| 52F226-041-63 | 63A | | | | | | | |
| 52F226-041-100 | 100A | 1000nF | 15 | 35 | 54 | 74 | 90 | 90 |
| 52F226-041-200 | 200A | 4700nF | | | | | | |

* Optimum performance with proper installation

High Current DC Single Line Feed-thru Series



Dimensions

| Part Number | A | B | C | D | E | F |
|----------------|------------|-----------|-----------|--------------|-----------|-----------|
| 52F226-011-10 | 2.24 (57) | 0.39 (10) | 0.51 (13) | 0.56 (14.29) | 0.63 (16) | 0.71 (18) |
| 52F226-011-16 | 2.48 (63) | 0.47 (12) | 0.67 (17) | 0.75 (19.05) | 0.71 (18) | |
| 52F226-011-32 | | | | | | |
| 52F226-011-63 | 3.78 (96) | 0.55 (14) | 0.87 (22) | 1 (25.40) | 1.02 (26) | 1.18 (30) |
| 52F226-011-100 | 4.45 (113) | 0.63 (16) | 1.06 (27) | 1.25 (31.75) | 1.26 (32) | 1.30 (33) |
| 52F226-011-200 | 5.12 (130) | 0.75 (19) | | | 1.57 (40) | |
| 52F226-011-250 | 5.83 (148) | | 1.57 (40) | 2 (50.80) | | |
| 52F226-011-300 | | | | | | |
| 52F226-021-16 | 2.95 (75) | 0.47 (12) | 0.67 (17) | 0.75 (19.05) | 0.71 (18) | 1.18 (30) |
| 52F226-021-32 | 3.78 (96) | 0.55 (14) | 0.87 (22) | 1 (25.40) | 1.02 (26) | |
| 52F226-031-63 | | | | | | |
| 52F226-021-100 | 4.45 (113) | 0.63 (16) | 1.06 (27) | 1.25 (31.75) | 1.26 (32) | 1.30 (33) |
| 52F226-021-200 | 5.12 (130) | 0.75 (19) | | | 1.57 (40) | |
| 52F226-021-250 | 6.30 (160) | | 1.57 (40) | 2 (50.80) | | |
| 52F226-021-300 | | | | | | |
| 52F226-031-16 | 2.95 (75) | 0.47 (12) | 0.67 (17) | 0.75 (19.05) | 0.71 (18) | 1.18 (30) |
| 52F226-031-32 | 3.78 (96) | 0.55 (14) | 0.87 (22) | 1 (25.40) | 1.02 (26) | |
| 52F226-031-63 | | | | | | |
| 52F226-031-100 | 4.45 (113) | 0.63 (16) | 1.06 (27) | 1.25 (31.75) | 1.26 (32) | 1.30 (33) |
| 52F226-031-200 | 5.79 (147) | 0.75 (19) | | | 1.57 (40) | |
| 52F226-031-250 | 7.01 (178) | | 1.57 (40) | 2 (50.80) | | |
| 52F226-031-300 | | | | | | |
| 52F226-041-16 | 3.23 (82) | 0.63 (16) | 1.06 (27) | 1.25 (31.75) | 0.71 (18) | 1.30 (33) |
| 52F226-041-32 | 3.98 (101) | | | | 1.02 (26) | |
| 52F226-041-63 | | | | | | |
| 52F226-041-100 | 5.24 (133) | 0.75 (19) | 1.57 (40) | 1.5 (38.10) | 1.26 (32) | 1.97 (50) |
| 52F226-041-200 | 6.50 (165) | | | 1.57 (40) | 2 (50.80) | 1.57 (40) |

Dimensions in inches (mm)

High Current DC Single Line Pi Series



RoHS
COMPLIANT

Single Line Filters

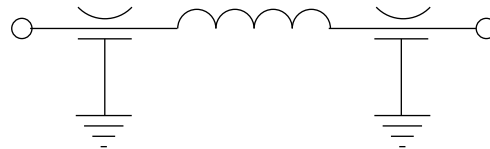
Features

- Voltage Rating 130VDC
- Pi Configuration with Class Y4 capacitors
- Current rating up to 200 Amps
- Excellent filtering in compact package
- Bolt-in style with D-shaped bushing for easy installation
- Low cost EMI solution
- UL and Semko approved

Applications

- Telecommunications (cellular base stations, telephone switching racks, etc.)
- Power supplies
- Medical Equipment
- C.O.T.S. (Commercial-Off-The-Shelf) Military
- Industrial equipment controls
- Data Transmission Equipment

Circuit Diagram

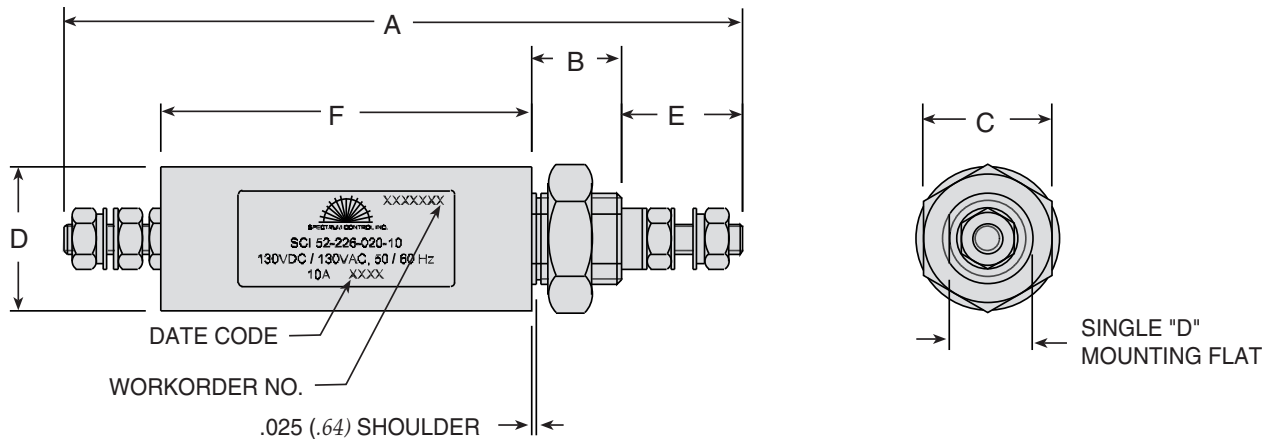


Specifications

| Part Number | Rated Current | Min. Cap. (2X) | Minimum Insertion Loss (db) * | | | | | |
|-----------------------------|---------------|----------------|-------------------------------|--------|------|-------|--------|---------|
| | | | .01MHz | .10MHz | 1MHz | 10MHz | 100MHz | 1000MHz |
| Standard Performance | | | | | | | | |
| 52F226-020-10 | 10A | 10nF | - | 0.5 | 8 | 23 | 70 | 90 |
| 52F226-020-16 | 16A | | | 35 | | | | |
| 52F226-020-32 | 32A | | | 2 | 10 | 23 | 50 | |
| 52F226-020-63 | 63A | 100nF | 8 | 27 | 67 | 90 | 90 | |
| 52F226-020-100 | 100A | 470nF | 4 | 21 | 30 | | | 70 |
| 52F226-020-200 | 200A | | 7 | 23 | 60 | | | |
| High Performance | | | | | | | | |
| 52F226-029-10 | 10A | 100nF | - | 8 | 25 | 75 | 90 | 90 |
| 52F226-029-16 | 16A | | | | | | | |
| 52F226-029-32 | 32A | | | | | | | |
| 52F226-029-63 | 63A | 470nF | 4 | 21 | 35 | 70 | 90 | 90 |
| 52F226-029-100 | 100A | 1000nF | 8 | 26 | 57 | 73 | | |
| 52F226-029-200 | 200A | 4700nF | 20 | 40 | 85 | 90 | | |

* Optimum performance with proper installation

High Current DC Single Line P_i Series



Dimensions

| Part Number | A | B | C | D | E | F |
|-----------------------------|------------|-----------|-----------|--------------|-----------|------------|
| Standard Performance | | | | | | |
| 52F226-020-10 | 3.54 (90) | 0.47 (12) | 0.67 (17) | 0.75 (19.05) | 0.63 (16) | 1.93 (49) |
| 52F226-020-16 | 3.86 (98) | | | | 0.71 (18) | 2.09 (53) |
| 52F226-020-32 | | | | | 1.02 (26) | 3.70 (94) |
| 52F226-020-63 | 6.30 (160) | 0.55 (14) | 0.87 (22) | 1 (25.40) | 1.26 (32) | 4.09 (104) |
| 52F226-020-100 | 7.24 (184) | 0.63 (16) | 1.06 (27) | 1.25 (31.75) | 1.57 (40) | 4.41 (112) |
| 52F226-020-200 | 8.23 (209) | 0.75 (19) | | 1.50 (38.10) | 1.57 (40) | 4.41 (112) |
| High Performance | | | | | | |
| 52F226-029-10 | 5.12 (130) | 0.47 (12) | 0.67 (17) | 0.75 (19.05) | 0.63 (16) | 3.50 (89) |
| 52F226-029-16 | 5.47 (139) | | | | 0.71 (18) | 3.70 (94) |
| 52F226-029-32 | | | | | 1.02 (26) | 4.13 (105) |
| 52F226-029-63 | 6.81 (173) | 0.63 (16) | 1.06 (27) | 1.25 (31.75) | 1.26 (32) | 5.71 (145) |
| 52F226-029-100 | 8.98 (228) | 0.75 (19) | | 1.50 (38.10) | 1.57 (40) | 7.17 (182) |
| 52F226-029-200 | 11 (279) | | 1.57 (40) | 2 (50.80) | 1.57 (40) | 7.17 (182) |

Dimensions in inches (mm)

High Current AC Single Line Feed-thru Series



RoHS
COMPLIANT

Single Line Filters

Features

- Voltage Rating 250VAC
- C Configuration with Class Y2 capacitors
- Current rating up to 300 Amps
- Excellent filtering in compact package
- Bolt-in style with D-shaped bushing for easy installation
- Low cost EMI solution
- Design flexibility
- UL and Semko approvals pending

Applications

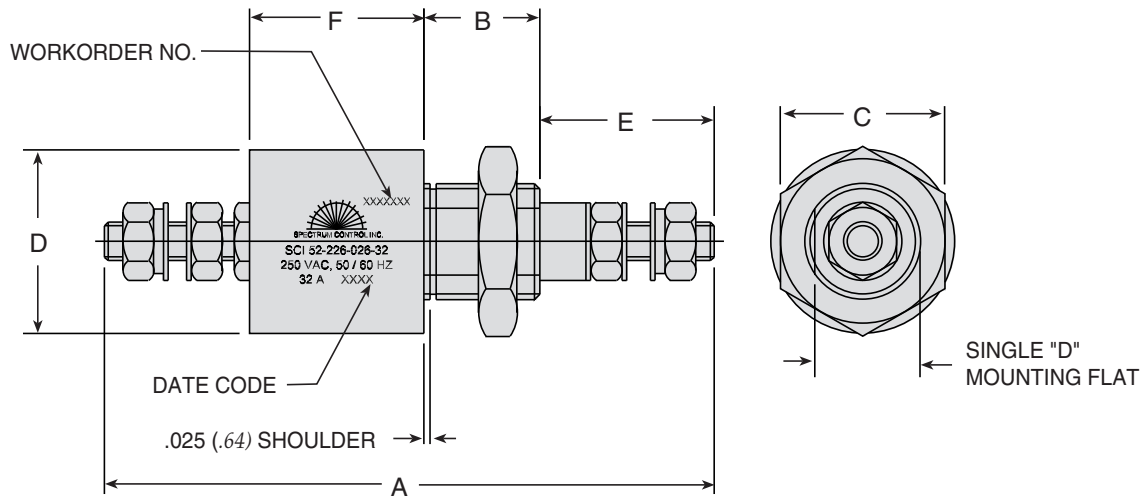
- Telecommunications (cellular base stations, telephone switching racks, etc.)
- Power supplies
- Medical Equipment
- C.O.T.S. (Commercial-Off-The-Shelf) Military
- Industrial equipment controls
- Data Transmission Equipment

Specifications

| Part Number | Rated Current | Min. Cap. | Minimum Insertion Loss (db) * | | | | | | | |
|----------------|---------------|-----------|-------------------------------|--------|--------|-------|--------|---------|----|----|
| | | | .01MHz | .10MHz | 1MHz | 10MHz | 100MHz | 1000MHz | | |
| 52F226-016-10 | 10A | 2.2nF | - | - | - | 9 | 30 | 45 | | |
| 52F226-016-16 | 16A | 4.7nF | | | - | 2 | 15 | 34 | 54 | |
| 52F226-016-32 | 32A | | | | | 4 | 21 | 41 | 60 | |
| 52F226-016-63 | 63A | 10nF | | 2 | 15 | 34 | 53 | 74 | | |
| 52F226-016-100 | 100A | 47nF | | | 5 | 21 | 40 | 60 | 85 | |
| 52F226-016-200 | 200A | 100nF | | | | 10 | 27 | 47 | 67 | 90 |
| 52F226-016-250 | 250A | | | 220nF | 10 | | 27 | 47 | 67 | 90 |
| 52F226-016-300 | 300A | 2 | | | | 15 | 34 | 53 | 74 | |
| 52F226-026-10 | 10A | | | | | 4.7nF | - | 4 | 21 | 41 |
| 52F226-026-16 | 16A | 10nF | | - | 2 | 15 | | 34 | 53 | 74 |
| 52F226-026-32 | 32A | | | | 100nF | 5 | 21 | 40 | 60 | 85 |
| 52F226-026-63 | 63A | 220nF | | 10 | | | 27 | 47 | 67 | 90 |
| 52F226-026-100 | 100A | | | | | | 470nF | 2 | 16 | 33 |
| 52F226-026-200 | 200A | 100nF | | 5 | 21 | 40 | | | 60 | 85 |
| 52F226-026-250 | 250A | | | | 220nF | 10 | | | 27 | 47 |
| 52F226-026-300 | 300A | - | 2 | 15 | | | 34 | 53 | 74 | |
| 52F226-036-16 | 16A | | | 47nF | | | - | 3 | 16 | 35 |
| 52F226-036-32 | 32A | 33nF | 5 | 21 | 40 | 60 | | 85 | | |
| 52F226-036-63 | 63A | 100nF | | 10 | 27 | 47 | | 67 | 90 | |
| 52F226-036-100 | 100A | 220nF | 2 | | 16 | 33 | 52 | 75 | | |
| 52F226-036-200 | 200A | 470nF | | | 2 | 16 | 33 | 52 | 75 | |
| 52F226-036-250 | 250A | | 100nF | 5 | | 21 | 40 | 60 | 85 | |
| 52F226-036-300 | 300A | | | | | 220nF | 10 | 27 | 47 | 67 |
| 52F226-046-16 | 16A | 100nF | - | 2 | 15 | | | 34 | 53 | |
| 52F226-046-32 | 32A | 47nF | | 2 | 16 | | | 33 | 52 | 75 |
| 52F226-046-63 | 63A | 220nF | 6 | | 20 | 40 | 60 | 85 | | |
| 52F226-046-100 | 100A | 470nF | | | 1000nF | 6 | 40 | 60 | 85 | |
| 52F226-046-200 | 200A | 1000nF | 6 | 40 | | | 60 | 85 | | |
| 52F226-046-250 | 250A | | | 1000nF | | | 6 | 40 | 60 | 85 |
| 52F226-046-300 | 300A | 1000nF | 6 | | 20 | 40 | | 60 | 85 | |

* Optimum performance with proper installation

High Current AC Single Line Feed-thru Series



Dimensions

| Part Number | A | B | C | D | E | F |
|----------------|------------|-----------|-----------|--------------|-----------|-----------|
| 52F226-016-10 | 2.24 (57) | 0.39 (10) | 0.51 (13) | 0.56 (14.29) | 0.63 (16) | 0.71 (18) |
| 52F226-016-16 | 2.48 (63) | 0.47 (12) | 0.67 (17) | 0.75 (19.05) | 0.71 (18) | |
| 52F226-016-32 | | | | | | |
| 52F226-016-63 | 3.78 (96) | 0.55 (14) | 0.87 (22) | 1 (25.40) | 1.02 (26) | 1.18 (30) |
| 52F226-016-100 | 4.45 (113) | 0.63 (16) | 1.06 (27) | 1.25 (31.75) | 1.26 (32) | 1.30 (33) |
| 52F226-016-200 | 5.12 (130) | 0.75 (19) | | 1.5 (38.10) | 1.57 (40) | |
| 52F226-016-250 | 5.83 (148) | | | 1.57 (40) | 2 (50.80) | |
| 52F226-016-300 | | | | | | |
| 52F226-026-10 | 2.24 (57) | 0.39 (10) | 0.51 (13) | 0.56 (14.29) | 0.63 (16) | 0.71 (18) |
| 52F226-026-16 | 2.48 (63) | 0.47 (12) | 0.67 (17) | 0.75 (19.05) | 0.71 (18) | |
| 52F226-026-32 | | | | | | |
| 52F226-026-63 | 3.78 (96) | 0.55 (14) | 0.87 (22) | 1 (25.40) | 1.02 (26) | 1.18 (30) |
| 52F226-026-100 | 4.45 (113) | 0.63 (16) | 1.06 (27) | 1.25 (31.75) | 1.26 (32) | 1.30 (33) |
| 52F226-026-200 | 5.12 (130) | 0.75 (19) | | 1.5 (38.10) | 1.57 (40) | |
| 52F226-026-250 | 5.83 (148) | | | 1.57 (40) | 2 (50.80) | |
| 52F226-026-300 | | | | | | |
| 52F226-036-16 | 2.95 (75) | 0.47 (12) | 0.67 (17) | 0.75 (19.05) | 0.71 (18) | 1.18 (30) |
| 52F226-036-32 | | | | | | |
| 52F226-036-63 | 3.78 (96) | 0.55 (14) | 0.87 (22) | 1 (25.40) | 1.02 (26) | |
| 52F226-036-100 | 4.57 (116) | 0.75 (19) | 1.06 (27) | 1.5 (38.10) | 1.26 (32) | 1.30 (33) |
| 52F226-036-200 | 5.79 (147) | | 1.57 (40) | | 1.57 (40) | |
| 52F226-036-250 | 6.30 (160) | | 1.57 (40) | | 2 (50.80) | |
| 52F226-036-300 | | | | | | |
| 52F226-046-16 | 3.03 (77) | 0.55 (14) | 0.87 (22) | 1 (25.40) | 0.71 (18) | 1.18 (30) |
| 52F226-046-32 | 2.95 (75) | 0.47 (12) | 0.67 (17) | | | |
| 52F226-046-63 | 4.45 (113) | 0.63 (16) | 1.06 (27) | | | |
| 52F226-046-100 | 5.24 (133) | 0.75 (19) | | 1.5 (38.10) | 1.26 (32) | |
| 52F226-046-200 | 5.79 (147) | | | 1.57 (40) | 1.57 (40) | 1.97 (50) |
| 52F226-046-250 | 6.30 (160) | 0.75 (19) | 1.57 (40) | 2 (50.80) | 1.81 (46) | 2.13 (54) |
| 52F226-046-300 | | | | | | |

Dimensions in inches (mm)

High Current AC Single Line P_i Series



RoHS
COMPLIANT

Single Line Filters

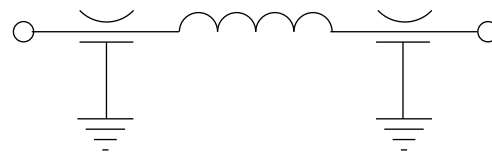
Features

- Voltage Rating 250VAC
- Pi Configuration with Class Y2 capacitors
- Current rating up to 300 Amps
- Excellent filtering in compact package
- Bolt-in style with D-shaped bushing for easy installation
- Low cost EMI solution
- Design flexibility
- UL and Semko approvals pending

Applications

- Telecommunications (cellular base stations, telephone switching racks, etc.)
- Power supplies
- Medical Equipment
- C.O.T.S. (Commercial-Off-The-Shelf) Military
- Industrial equipment controls
- Data Transmission Equipment

Circuit Diagram

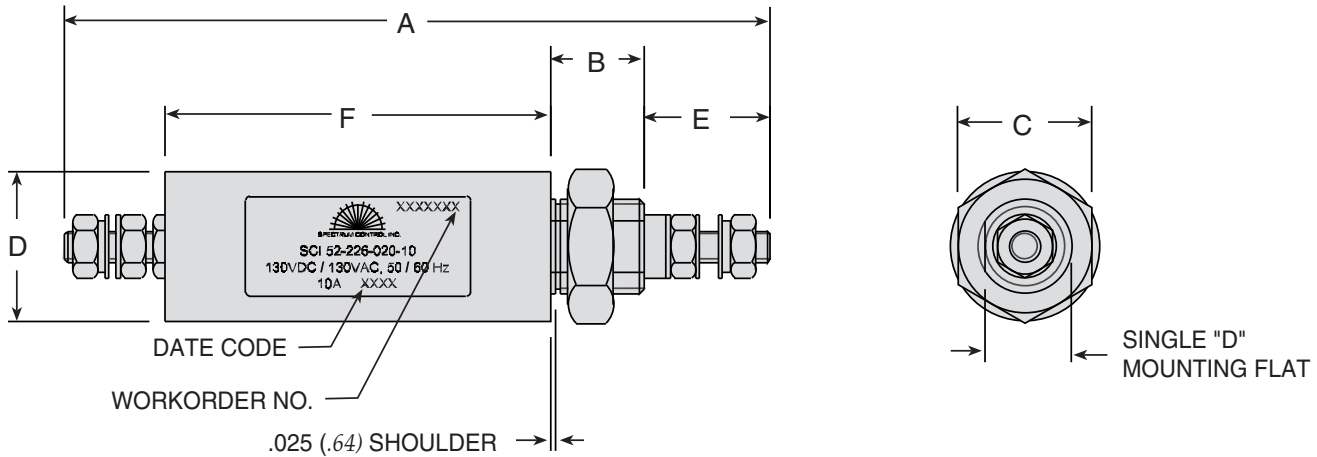


Specifications

| Part Number | Rated Current | Min. Cap. (2X) | Minimum Insertion Loss (db) * | | | | | | | | |
|-----------------------------|---------------|----------------|-------------------------------|--------|------|-------|--------|---------|----|----|----|
| | | | .01MHz | .10MHz | 1MHz | 10MHz | 100MHz | 1000MHz | | | |
| Standard Performance | | | | | | | | | | | |
| 52F226-037-10 | 10A | 4.7nF | - | - | 4 | 19 | 77 | 90 | | | |
| 52F226-037-16 | 16A | 10nF | | 1 | 8 | 22 | 50 | | | | |
| 52F226-037-32 | 32A | | | 4 | 21 | 52 | 80 | | | | |
| 52F226-037-63 | 63A | 47nF | 1 | 8 | 25 | 73 | 90 | | | | |
| 52F226-037-100 | 100A | 100nF | | 9 | 26 | 75 | | | | | |
| 52F226-037-200 | 200A | | | 4 | 21 | 57 | | | 85 | | |
| 52F226-037-250 | 250A | | | | | | | | | | |
| 52F226-037-300 | 300A | | | | | | | | | | |
| High Performance | | | | | | | | | | | |
| 52F226-019-10 | 10A | 10nF | - | 1 | 9 | 30 | 80 | 90 | | | |
| 52F226-019-16 | 16A | 22nF | | 3 | 15 | 47 | | | | | |
| 52F226-019-32 | 32A | | | 1 | 12 | 27 | | | 75 | | |
| 52F226-019-63 | 63A | 150nF | 4 | 21 | 39 | 85 | 90 | | | | |
| 52F226-019-100 | 100A | 470nF | | | 4 | | | | 21 | 57 | 85 |
| 52F226-019-200 | 200A | | | | | | | | | | |
| 52F226-019-250 | 250A | | | | | | | | | | |
| 52F226-019-300 | 300A | | | | | | | | | | |

* Optimum performance with proper installation

High Current AC Single Line P_i Series



Dimensions

| Part Number | A | B | C | D | E | F | |
|-----------------------------|------------|-----------|-------------|--------------|-----------|------------|-----------|
| Standard Performance | | | | | | | |
| 52F226-037-10 | 3.86 (98) | 0.47 (12) | 0.67 (17) | 0.75 (19.05) | 0.63 (16) | 2.24 (57) | |
| 52F226-037-16 | 4.17 (106) | | | | 0.71 (18) | 2.40 (61) | |
| 52F226-037-32 | | | | | 1.02 (26) | 3.7 (94) | |
| 52F226-037-63 | 6.30 (160) | 0.55 (14) | 0.87 (22) | 1 (25.40) | 1.26 (32) | 4.09 (104) | |
| 52F226-037-100 | 7.24 (184) | 0.63 (16) | 1.06 (27) | 1.25 (31.75) | 1.57 (40) | 4.41 (112) | |
| 52F226-037-200 | 8.23 (209) | 0.75 (19) | | | 1.57 (40) | 1.81 (46) | 3.66 (93) |
| 52F226-037-250 | 7.87 (200) | | 1.5 (38.10) | 1.57 (40) | | 1.81 (46) | 3.66 (93) |
| 52F226-037-300 | | | | | | | |
| High Performance | | | | | | | |
| 52F226-019-10 | 4.21 (107) | 0.47 (12) | 0.67 (17) | 0.75 (19.05) | 0.63 (16) | 2.6 (66) | |
| 52F226-019-16 | 4.57 (116) | 0.55 (14) | 0.87 (22) | 1 (25.40) | 0.71 (18) | 2.72 (69) | |
| 52F226-019-32 | | | | | | | |
| 52F226-019-63 | 6.81 (173) | 0.63 (16) | 1.06 (27) | 1.25 (31.75) | 1.02 (26) | 4.13 (105) | |
| 52F226-019-100 | 8.98 (228) | 0.75 (19) | | | | | 1.57 (40) |
| 52F226-019-200 | 9.57 (243) | | | | | | |
| 52F226-019-250 | 10.5 (267) | | | | | | |
| 52F226-019-300 | | | | | | | |

Dimensions in inches (mm)