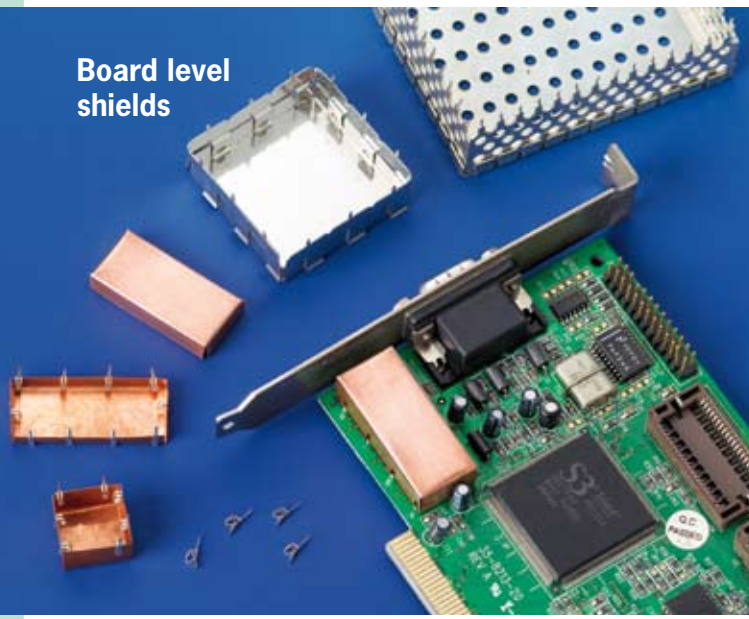


PCB shielding 1500/1600/1700

Shielding at the source, also in standard dimensions



Board level shields



1600 Fixed series

A small framework or fence can be manufactured by our CNC production system, including pins in any desired size. Tooling costs are relatively low, and so this system is well suitable for series of 100 -100,000 pieces. Made according to your drawing.

Options

- Several thicknesses
- With or without electrical insulation
- With or without conductive self-adhesive
- Available in a flame retardant version

1700 Drawn Board Level Shields

This product is designed for seamless corners for ultra-high frequency shielding. Available in heights of 0.5 to 8 mm and sizes of 6 to 80 mm. Elastomers can be combined with the drawn board shield as well as ventilation.

EMI screening covers for printed circuit boards

EMI screening covers for PCBs were developed to shield only a part of electronic equipment from electromagnetic radiation at the source, rather than all components in the entire housing.

1500 Clip-on shielding system

This system combines small clip-on pins with a removable lid and results in high EMI shielding protection.

Benefits

- Less space taken up on the board
- Flexible pin positions making the clip-on system 1500 an excellent solution for series of 1 – 5,000 pieces
- For heavy duty applications the lid can also be fixed by extra soldering between the lid and some of the pins.

Standard cover sizes

Custom sizes can be reproduced on request.

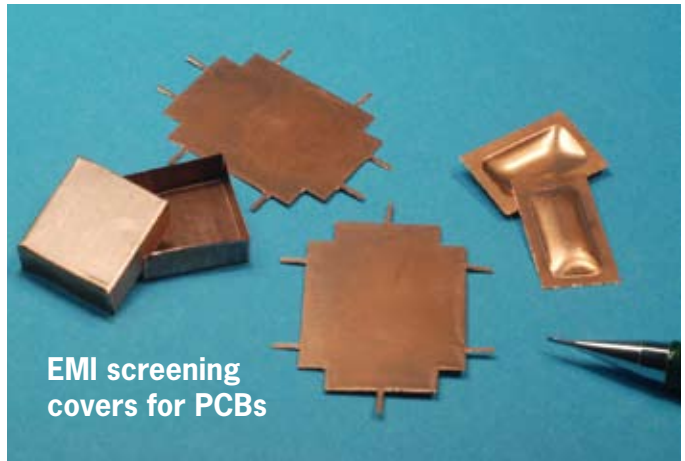
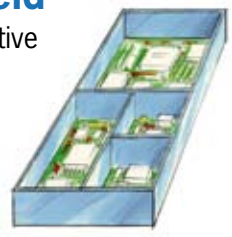
Length (mm)	Width (mm)	Available heights (mm)
20	20	3, 5 or 10
25	25	3, 5 or 10
30	30	3, 5, 10 or 15
40	40	3, 5, 10 or 15
50	25	3, 5, 10 or 15
50	50	3, 5, 10 or 15
75	50	3, 5, 10 or 15
75	50	3, 5, 10, 15, 20 or 25
75	75	3, 5, 10, 15, 20 or 25
100	50	3, 5, 10, 15, 20 or 25
125	75	3, 5, 10, 15, 20 or 25
160	100	3, 5, 10, 15, 20, 25, 30 or 35



Drawn board level shield

1800 Compartment shield

Another application is a highly conductive foil laminated with a high deflection, low closure force foam layer. The rigidity of the housing is used to shield the separations on the PCB. Combinations with conductive fabrics or non-woven are also available.



EMI screening covers for PCBs

PCB shielding 1500/1600/1700

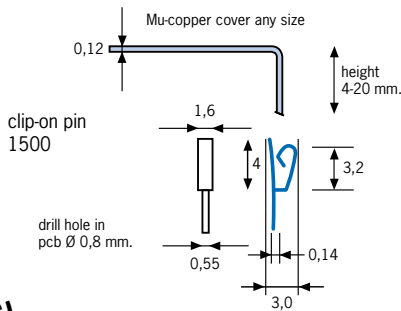
Pins and clips for SMD mounting



Mounting options

Small pin (P)

Standard through-hole clips with a tinned pin, can be soldered into the PCB at any available place around the screening cover.



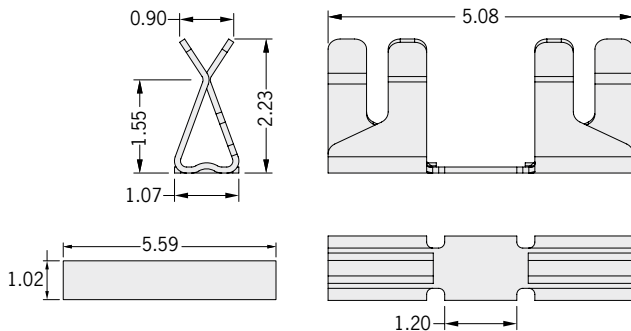
Medium and large clips can be delivered on reels



Medium clip (MC)

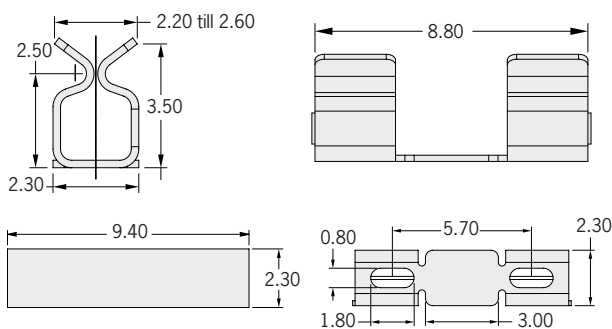
This clip is used to mount on to the surface of the PCB (SMT) and offers a fast solution for assembling RFI/EMI shields to PCBs. This clip eliminates the need for through holes and post reflow operations on the PCB. This clip offers a great opportunity to do tuning and re-work after the assembly of the screening cover. Thickness of the screening cover can be 0.13 to 0.23 mm. This clip can be supplied on reels of 5000 pieces.

The medium clip takes up 40% less space than the large version.



Large clip (LC)

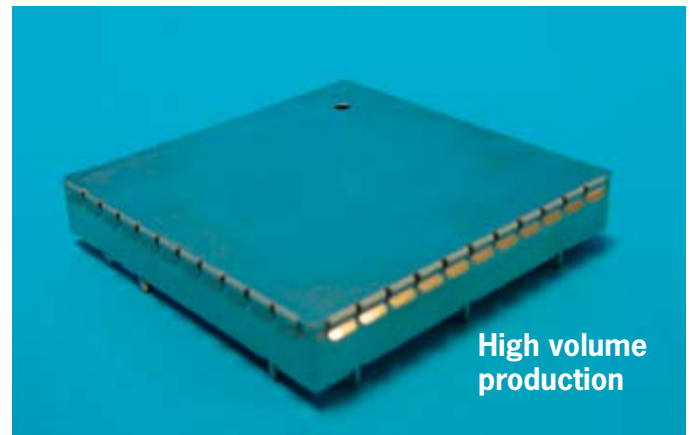
Same as the medium clip, except that thicker screening covers can be used. Screening covers can be placed in the clip up to 0.3 mm thickness. This clip can be supplied on reels of 1900 pieces.



High Volume Production

From 1,000 - 250,000 + items

- In-house tooling facility
- Global materials procurement to ensure quality and competitive price
- Tape and reel packaging of components to allow high speed, high volume automated placement



Ordering information

Example

When you order 1500 series screening cover 20 x 20 x 10 mm with medium clips to mount on the surface of the PCB.

Part number	Length (mm)	Width (mm)	Height (mm)	Mounting	Clip/pin
1500	20	20	10	MC	8
1500 : Clip-on shielding system 1600 : Fixed series 1700 : Drawn board level shield 1800 : Compartment shield	Length of the shielding cover in mm	Width of the shielding cover in mm	Height of the shielding cover in mm	If you use the 1500 series, please specify the mounting option P : Small pin (drilled holes) MC : Medium clip (SMD) LC : Large clip (SMD)	Number of clips/pins desired?